



ENY SEALING FITTINGS FOR HAZARDOUS LOCATIONS

CAUTION: Before installing, make sure you are compliant with area classifications, failure to do so may result in bodily injury, death and property damage. Do not attempt installation until you are familiar with the following procedures. All installation must comply with the applicable Electrical Code.

Make sure that the circuit is De-energized before starting installation or maintenance.

Verify that the installation is grounded. Failure to ground will create electrical shock hazards, which can cause serious injury and or death.

Technical information, advice and recommendations contained in these documents is based upon information that Killark believes to be reliable. All the information and advice contained in these documents is intended for use only by persons having been trained and possessing the requisite skill and know-how and to be used by such persons only at their own discretion and risk. The nature of these instructions is informative only and does not cover all of the details, variations or combinations in which this equipment may be used, its storage, delivery, installation, check out, safe operation and maintenance. Since conditions of use of the product are outside of the care, custody and control of Killark, the purchaser should determine the suitability of the product for his intended use, and assumes all risk and liability whatsoever in connection therewith.

- For vertical and horizontal conduit installations use Killark "PF" Packing Fiber to build a dam at each conduit hub except for upper hubs in the vertical position as shown in Installation Drawings. Use a wooden stick to force the wires apart, and pack the fiber tightly around all wires. The dam must be tight and strong enough to keep the sealing compound from leaking out before it sets up. The completed dam should be even with the conduit stops as shown.
- When using Killark Type "SC" Sealing Compound, mix the sealing compound with water at a rate of 3.3 parts of compound to 1 part water by volume (4 to 1 by weight). Use a clean mixing vessel for each batch. Sprinkle the sealing compound into water while stirring; continue mixing for at least 3 MINUTES. The proper consistency is just fluid enough to pour SLOWLY, like thick gravy (NOT WATERY) and should have a smooth silky shimmer in appearance when mixed correctly. Do not mix more material than can be poured in 15 minutes. Discard any sealing compound that has become too stiff to use. Never attempt to restore workability by stirring in more water. After the compound is mixed properly, slowly pour it into the sealing fitting. Make sure the wires are separated so the compound will completely surround them. Pour slowly to avoid trapping air bubbles in the compound and fill to the required level shown in Table 1.

CAUTION: FOR GROUPS A, B, C & D

Sealing compound to be mixed at a temperature no lower than 40°F/4°C and ONLY poured into fittings that have been brought to a temperature of 40°F/4°C. Seals must NOT be exposed to temperatures below 40°F/4°C for at least 72 hours. Compound MUST be allowed 72 hours to cure to full strength before energizing system.

CAUTION: FOR GROUPS C & D

Sealing compound to be mixed at a temperature no lower than 35°F/2°C and ONLY poured into fittings that have been brought to a temperature of 35°F/2°C. Seals must NOT be exposed to temperatures below 35°F/2°C for at least 8 hours.

SC SEALING COMPOUND

| CATALOG NO. | CONDUIT SIZE | POUR DEPTH (MIN.) | REQUIRED AMOUNT MIXED (OZ.) |
|-------------|--------------|-------------------|-----------------------------|
| ENY-1 | 1/2" | 5/8" | 1.0 |
| ENY-2 | 3/4" | 3/4" | 1.5 |
| ENY-3 | 1" | 1" | 2.5 |
| ENY-4 | 1 1/4" | 1 1/4" | 5.5 |
| ENY-5 | 1 1/2" | 1 1/2" | 7.5 |
| ENY-6 | 2" | 2" | 10.5 |

TABLE 1

- When using Killark KQS "CELOX" Sealing Compound, remove cap by twisting 90° counterclockwise for 50mL cartridge. For larger 250mL cartridge unscrew cap counterclockwise and remove plug (Plug can be saved for re-use of cartridge). Place mixing nozzle onto cartridge and lock into place by twisting 90° for 50mL and screw clockwise for 250mL cartridge. Place 50mL cartridge into the dual dispensing applicator and 250mL cartridge into a high ratio caulking tool. Prime mixing nozzle by depressing handle and pump a small amount of sealing compound through nozzle until a uniform mixture is dispensed.
- Insert mixing nozzle into the seal fitting and fill to the required level shown in Table 2. Make sure the wires are well separated so the compound completely surrounds them. Dispense slowly to avoid trapping air bubbles in the compound. Immediately wipe any spilled compound from conduit and threads, and close the fitting with close-up plug.

CAUTION: FOR GROUPS A, B, C & D (LOW AMBIENT TEMPERATURES)

KQS Sealing Compound is to be dispensed at temperatures no lower than 40°F/4°C and ONLY poured into fittings that have been brought to a temperature of 40°F/4°C. Seals must not be exposed to temperatures below 40°F/4°C for at least 24 hours. Compound MUST be allowed 24 hours to cure (See KQS Cure Time vs. Temperature Chart 1).

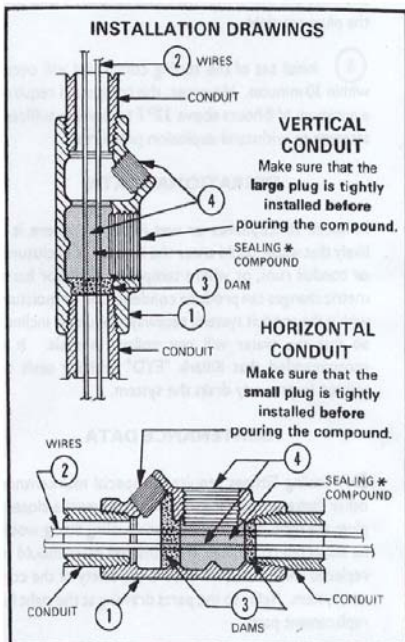
CAUTION: TO PREVENT PERSONAL INJURY & IGNITION OF HAZARDOUS ATMOSPHERES

KQS sealing compound releases heat energy from exothermic reaction after dispensing. The sealing compound is to be fully cured before handling and exposing to hazardous atmospheres. (See KQS Cure Time vs. Temperature Chart 1)

KQS SEALING COMPOUND

| CATALOG NO. | CONDUIT SIZE | POUR DEPTH MINIMUM (in) | AMOUNT MIXED (mL) |
|-------------|--------------|-------------------------|-------------------|
| ENY-1 | 1/2" | 1.36 | 16 |
| ENY-2 | 3/4" | 1.375 | 25 |
| ENY-3 | 1" | 1.69 | 45 |
| ENY-4 | 1 1/4" | 2.00 | 90 |
| ENY-5 | 1 1/2" | 2.25 | 115 |
| ENY-6 | 2" | 2.75 | 210 |

TABLE 2



KQS "CELOX" CURE TIME VS TEMPERATURE

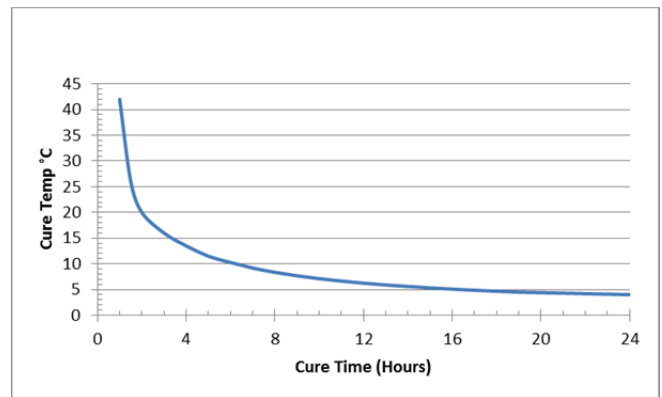


CHART 1